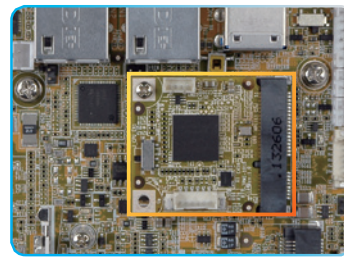
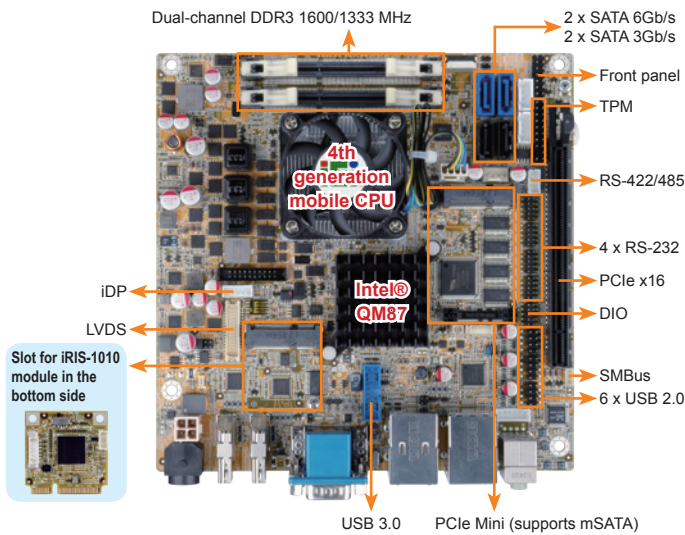


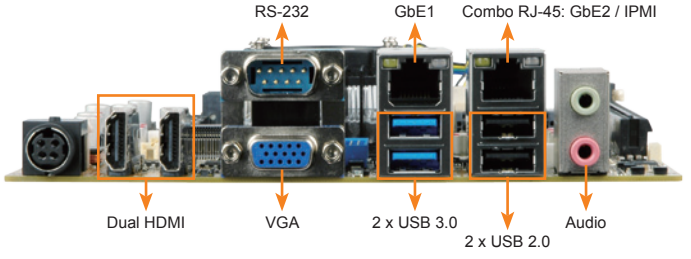
# KINO-DQM871-i1

Mini-ITX SBC supports 4th generation 22nm Intel® mobile processors, HDMI/VGA/LVDS/DP, dual Intel® PCIe GbE, USB 3.0, SATA 6Gb/s, iRIS-1010, audio and RoHS



### iRIS-1010 Key Features

- IPMI 2.0 Based Management
- Cross OS Platform Support
- Hardware Health Monitor
- Event Log
- Notifications
- Virture Media Support
- Remote Power Control
- User Management
- Serial over LAN



IPMI 2.0 Compliant

One Key Recovery

DDR3 1600

Jumper-less

Triple Display

USB 3.0

SATA 6Gb/s

Dual GbE

HDMI

mSATA

## Specifications

- ◆ CPU
  - Intel® mobile Core™ i7-4700EQ on-board processor with Intel® AMT 9.0 support (2.4GHz, quad-core, 6MB cache, TDP=47W)
  - Intel® mobile Core™ i5-4402E on-board processor with Intel® AMT 9.0 support (1.6GHz, dual-core, 3MB cache, TDP=25W)
  - Intel® mobile Core™ i3-4102E on-board processor (1.6GHz, dual-core, 3MB cache, TDP=25W)
  - Intel® mobile Celeron® 2002E on-board processor (1.5GHz, dual-core, 2MB cache, TDP=25W)
  - Intel® mobile Core™ i5-4400E on-board processor with Intel® AMT 9.0 support (2.7GHz, dual-core, 3MB cache, TDP=37W) (by request)
  - Intel® mobile Core™ i3-4100E on-board processor (2.4GHz, dual-core, 3MB cache, TDP=37W) (by request)
  - Intel® mobile Celeron® 2000E on-board processor (2.2GHz, dual-core, 2MB cache, TDP=37W) (by request)
- ◆ Chipset: Intel® QM87
- ◆ Memory: Two 240-pin 1600/1333 MHz dual-channel DDR3 SDRAM unbuffered DIMMs support up to 16 GB
- ◆ BIOS: UEFI BIOS
- ◆ Ethernet
  - LAN1: Intel® I217LM with Intel® AMT 9.0 support
  - LAN2: Intel® I210-AT PCIe controller
- ◆ Graphics Engine
  - Intel® HD Graphics Gen 7.5 supports DX11.1 and OpenCL 1.2, OpenGL 3.2
  - Full MPEG2, VC1, AVC Decode
- ◆ Display Output
  - 1 x VGA (up to 1920x1200@60Hz)
  - 1 x 18/24-bit dual-channel LVDS (up to 1920x1200@60Hz)
  - 2 x HDMI (up to 2500x1600@60Hz)
  - 1 x iDP interface for HDMI, LVDS, VGA, DVI, DP (up to 3840x2160@60Hz)
- ◆ Audio: Realtek ALC662 HD codec supports 5.1-channel
  - 2 x Audio jacks (line-out, mic-in) on rear IO
- ◆ External I/O Interface
  - 1 x RS-232
  - 2 x USB 2.0
  - 2 x USB 3.0
- ◆ Internal I/O Interface
  - 1 x KB/MS (1x6 pin)
  - 2 x USB 3.0 (2x10 pin, P=2.0)
  - 1 x RS-422/485 (1x4 pin, P=2.0)
  - 4 x RS-232 (2x5 pin, P=2.0)
  - 2 x SATA 3Gb/s
  - 6 x USB 2.0 (2x4 pin, P=2.54)
  - 2 x SATA 6Gb/s (RAID 0/1/5/10 supported)
- ◆ iRIS Remote Management Module: 1 x iRIS-1010 slot
- ◆ Front Panel: 1 x Front panel (2x7 pin, power LED, HDD LED, speaker, power button, reset button)
- ◆ LAN LED: 2 x LAN LED (1x2 pin)
- ◆ SMBus: 1 x SMBus (1x4 pin)
- ◆ TPM: 1 x TPM (2x10 pin)
- ◆ Expansion: 1 x PCIe x16 slot
- ◆ 1 x Full-size PCIe Mini card slot (support mSATA)
- ◆ Watchdog Timer: Software programmable, support 1~255 sec. system reset
- ◆ Digital I/O: 8-bit digital I/O (2x5 pin)
- ◆ Fan Connector: 1 x CPU smart fan (1x4 pin)
- ◆ 1 x System smart fan (1x4 pin)
- ◆ Power Supply
  - 12V DC input
  - 1 x Internal power connector (2x2 pin)
  - 1 x External DC jack (4-pin DIN)
  - Support AT/ATX mode
- ◆ Power Consumption: 12V@0.03A (Intel® Core™ i7-4770EQ, 2.4GHz CPU with 8 GB (two 4 GB) 1333 MHz DDR3 memory)
- ◆ Operating Temperature: -20°C ~ 60°C
- ◆ Operating Humidity: 5% ~ 95%, non-condensing
- ◆ Dimensions: 170mm x 170mm
- ◆ Weight: GW: 900g / NW: 450g

## Features

- 4th generation Intel® mobile Core™ i7/i5/i3 or Celeron® on-board processor
- DDR3 1066/1333/1600 MHz dual-channel SDRAM
- HDMI 1.4a compliant, triple independent display supported
- 3D micro-architecture enhancement supports DX11.1, OCL 1.2 and OGL3.2
- Rich media acceleration for hardware decode and encode acceleration
- Intel® GbE LAN with Intel® AMT 9.0 support
- High speed I/O interface for PCIe Gen 3.0 add-on card, USB 3.0 and SATA 6Gb/s supported
- Supports dual PCIe Mini expansion for PCIe Mini device and mSATA
- IEI jumper-less function
- Support IPMI 2.0 with iRIS-1010 module

## Packing List

1 x KINO-DQM871-i1 motherboard	
1 x CPU cooler	1 x Mini jumper pack
1 x I/O shielding	1 x QIG
2 x SATA with power output cable	1 x Utility CD

## Ordering Information

Part No.	Description
KINO-DQM871-i1-i7-R10	Mini-ITX SBC supports Intel® 22nm mobile Core™ i7-4700EQ on-board processor, HDMI / VGA / LVDS / DP, dual Intel® PCIe GbE, AMT 9.0, USB 3.0, SATA 6Gb/s, iRIS-1010, audio and RoHS
KINO-DQM871-i1-i5E-R10	Mini-ITX SBC supports Intel® 22nm mobile Core™ i5-4402E on-board processor, HDMI / VGA / LVDS / DP, dual Intel® PCIe GbE, AMT 9.0, USB 3.0, SATA 6Gb/s, iRIS-1010, audio and RoHS
KINO-DQM871-i1-i3E-R10	Mini-ITX SBC supports Intel® 22nm mobile Core™ i3-4102E on-board processor, HDMI / VGA / LVDS / DP, dual Intel® PCIe GbE, USB 3.0, SATA 6Gb/s, iRIS-1010, audio and RoHS
KINO-DQM871-i1-CE-R10	Mini-ITX SBC supports Intel® 22nm Celeron® 2002E on-board processor, HDMI / VGA / LVDS / DP, dual Intel® PCIe GbE, USB 3.0, SATA 6Gb/s, iRIS-1010, audio and RoHS
iRIS-1010-R10	IPMI 2.0 adapter card with AST1010 BMC chip (W/O KVM over IP function) for PCIe Mini socket interface
19800-000300-100-RS	RS-232 cable with bracket, 300mm, P=2.0
19800-003100-100-RS	Dual port USB 2.0 cable with bracket, 300mm, P=2.54
19800-010500-200-RS	USB 3.0 cable with bracket, 450mm
32000-023800-RS	PS/2 KB/MS cable, 135mm/110mm, P=2.0
32205-003800-200-RS	RS-422/485 cable, 200mm, P=2.0
DP-DP-R10	DisplayPort converter board (for IEI iDP connector)
DP-DVI-R10	DisplayPort to DVI-D converter board (for IEI iDP connector)
DP-HDMI-R10	DisplayPort to HDMI converter board (for IEI iDP connector)
DP-LVDS-R10	DisplayPort to 24-bit dual-channel LVDS converter board (for IEI iDP connector)
DP-VGA-R10	DisplayPort to VGA converter board (for IEI iDP connector)
TPM-IN01-R20	20-pin Infineon TPM module, software management tool, firmware v3.17