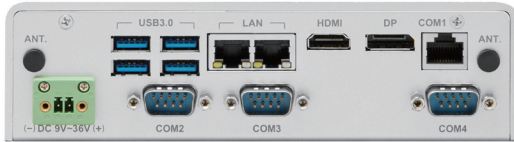


sBOX5430

Fanless Embedded Box PC, with Intel® N4200/N3350, HDMI, DP, 4COM, 6USB



Specification

System	
CPU	Intel® N4200/N3350 Processor
Chipset	N/A (SOC integrated)
BIOS	AMI
Memory Type	2 x SODIMM, DDR3L, 1866/1600 Mhz
Memory Capacity	Up to 8GB
Graphic	Intel HD Graphics 505/500
Storage	<ul style="list-style-type: none"> Internal: 1 x 2.5" HDD/SSD 1 x mSATA, 1 x M.2 (B-key)
System Indicator	<ul style="list-style-type: none"> 1 x Power LED 1 x HDD LED
System Control	<ul style="list-style-type: none"> 1 x Power on/off 1 x System reset
Power Input	9 ~ 36V DC-IN
Expansion	<ul style="list-style-type: none"> 1 x Mini-PCIe (Full-size:Co-Layout mSATA) 1 x M.2 (B-key)

I/O Interface	
Serial Port	3 x RS-232, 1 x RS-232/422/485
Ethernet	2 x I211AT
USB2.0	2
USB3.0	4
Display	1 x HDMI, 1 x DP
Audio	N/A
PS/2	N/A
Ant	2

Mechanical	
Dimension (W x D x H)	180 x 120 x 50 mm
Weight (Net)	1.2 kg
Mounting	Desktop or Wallmount

Environment	
Operating Temp.	Ambient air flow: 0°C ~ 50°C, with SSD/mSATA
Storage Temp.	-20°C ~ 75°C
Relative Humidity	0% ~ 90% non-condensing

Certification	
EMC	CE

Features

1. Fanless, compact design
2. Intel® N4200/N3350 Processor
3. 2 DDR3L SODIMM, up to 8GB
4. 1 x 2.5" HDD/SSD, mSATA, M.2
5. HDMI, DP, 4COM, 2GLAN, 2USB2.0, 4USB3.0
9 ~ 36VDC wide range power input
- 6.

Ordering Information

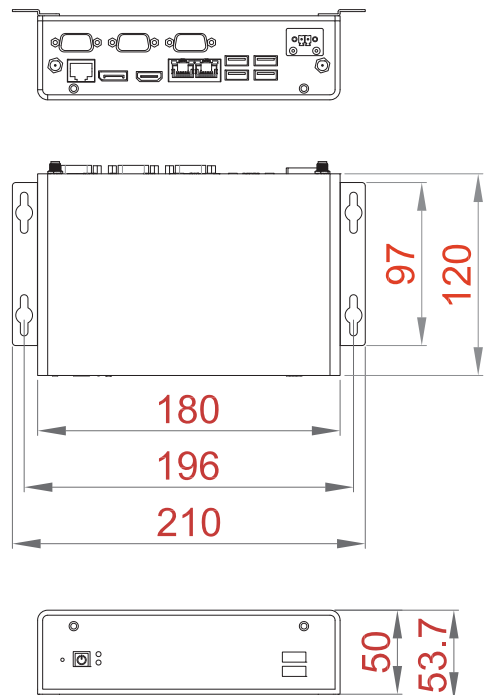
Ordering Information	
sBOX5430-42	Fanless system, w/ N4200, HDMI.DP, 2GLAN, 4COM, 6USB
sBOX5430-33	Fanless system, w/ N3350, HDMI.DP, 2GLAN, 4COM, 6USB

Optional Items	
DDR3 SODIMM	2GB ~ 8GB
2.5" HDD	250GB or above
2.5" SSD	120G or above
FSP060	60W power adapter

Packing List

- | | |
|--------------------------|------------------|
| 1 x sBOX5430 system unit | 1 x Screw pack |
| 1 x Driver DVD | 1 x Mounting kit |
| 4 x Foot pad | |

Dimension



Industrial Box PC

Fanless Box PC

Chassis

Slot CPU Cards

Add-on Cards

Motherboard